



ASPECT

Aluminium

And Glass Industry

Aluminum
UPVC
Glass
Stainless steel
Automation



+971 4 558 6191



+971 52 613 9715



www.aspectuae.com



info@aspectuae.com

Greetings From Our Team

We are pleased to introduce our company as one of the leading architectural aluminum in the UAE.

Our company enjoys extensive experience as well in uPVC and glazing fabrication and installation, we have accomplished several projects in UAE diverse sectors like Residential, Governments and Commercial buildings.

Our track record and pre-qualification gives us, and incremental edge and we pride ourselves on the quality of our services as well as products.

Thoroughly equipped with the latest machineries and tools, we build on our competent expertise and technical know how to keep abreast with the latest regulations and green building standards applicable in the United Arab Emirates.

We committed to quality and delivery, our goal is to build long-terms ties with our clients and fulfill promises.



ABOUT US

DESIGN AND ENGINEERING



ASPECT has a outstanding team of experienced engineers & technicians that will work with you to deliver your projects on time & at the same time maintain the quality of work at all times.

TESTING



We only work with the best, our delivered work has undergone vigorous testing in the Middle East & proved to comply with international standards in durability, time – saving & cost efficiency, our systematic system approach to the management of tasks in unsurpassed in quality, we take it personal!

INSTALLATION



ASPECT continuously trains team members & upgrades capabilities to ensure results, Our daily routines & applied processes reflect our commitment to quality, this attention to details & focus on maximizing of site manufacturing by design has earned our company the reputation for successful installations.

QUALITY



Keeping abreast of the changing need of the market, our commitment for maintaining the quality of our products is our primary point of reference in the success of our delivered works.

ABOUT US

AFTER SALES SERVICE



Following the completion of project Aspect believes that the client is entitled to expect first- class after sales services for the lifetime of the building, Whether the client requires work under an ongoing contract or an emergency call service, **ASPECT** is always ready & prepared to support the needs with and experienced & selectively hired workforce.

PRODUCTS & SERVICES



- Fabrication of Windows, Doors, Skylight & conservatories Aluminium & UPVC.
- Cast Aluminium gates.
- Curtain Walls-Double glazing
- Structural glazing & frameless Facades.
- Stainless steel handrails
- Staircases & balcony
- Automation systems & automatic gate opener
- Garage doors Rolling Shutter & overhead sectional doors.
- Automatic barrier gated with Solar system.





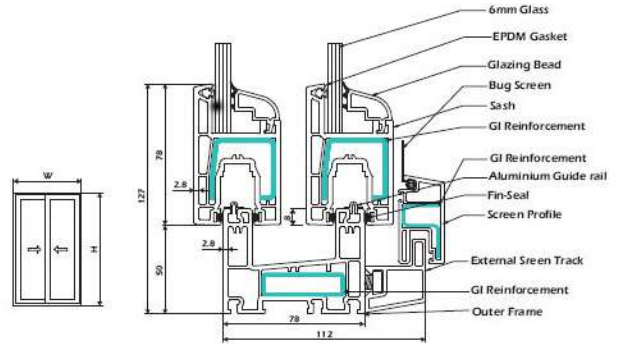
BUSINESS OFFERING

UPVC

-WINDOWS

-DOORS

-CONSERVATORIES



ALUMINUM

-DOORS & WINDOWS

-ALUMINUM COMPOSITE PANELS

-SKYLIGHTS & SUNROOMS

-PERGOLAS AND SHADES

-LOUVERED PANELS

-HANDRAILS-GENERAL WORKS



BUSINESS OFFERING



BUSINESS OFFERING

FRAMELESS GLASS

- Shower Room
- Glass Partitions



AUTOMATION



- Rolling Shutter Doors
- OverHead Sectional Garage Doors
- Automatic Barrier Gates
- Window Shutter Curtain



LIST OF RECENTLY EXECUTED PROJECTS

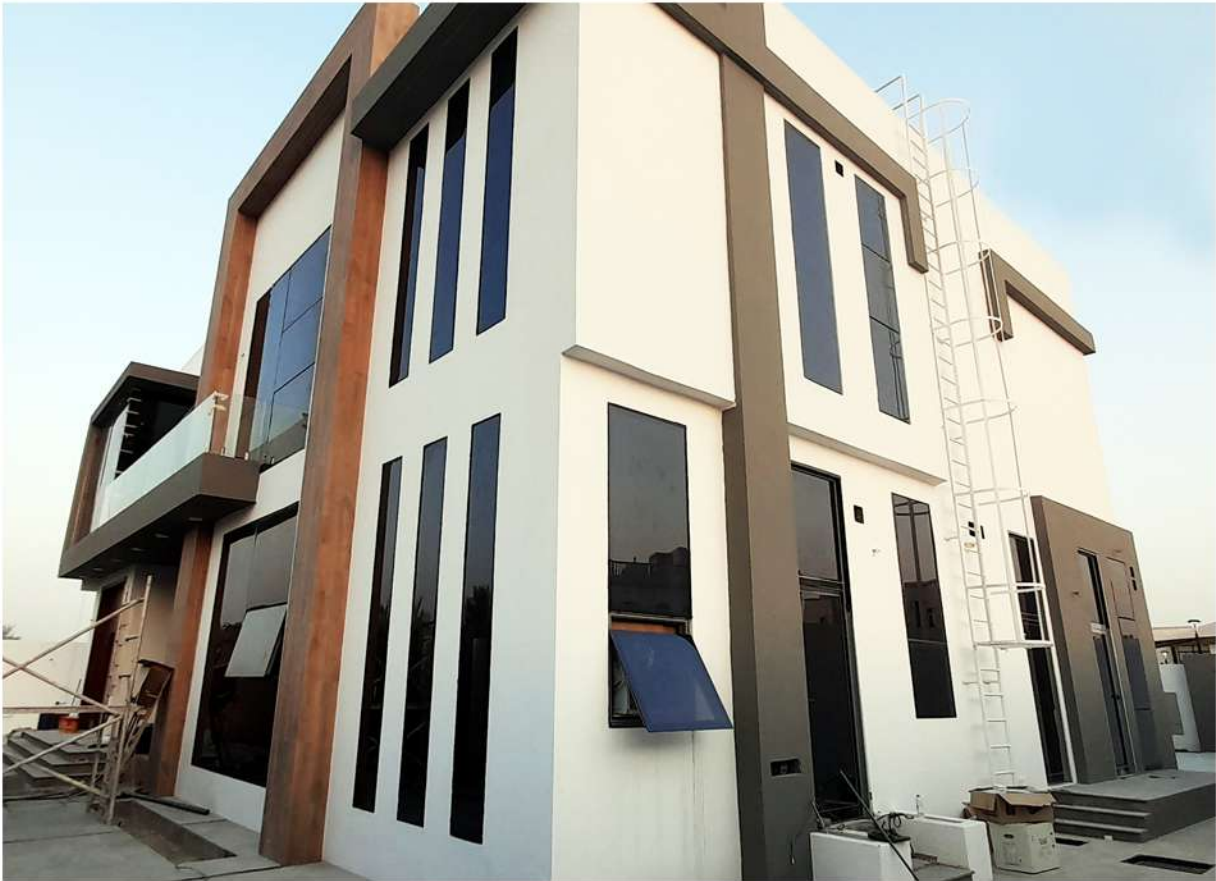
No	Project	Contractor	Consultant
1	City Life Shopping mall Ajman	Tech Construction	ProArc
2	Ajman Academy	Tech Construction	Algurg
3	Dubai Traffic Public Prosecutor	Impact Contracting	Watan Ramadan
4	Dubai Police Head Quarters (Clinics)	Impact Contracting	Impact Contracting
5	Complex of 16/ G+1 villas	Al Emad contracting	Cubic
6	3/ private villas G+1		Alrabi
7	B+G+1 shopping mall Dubai	Golden Rise	East engineering
8	13 Private villas Dubai/ Sharjah		



OUR PROJECTS



OUR PROJECTS



OUR PROJECTS



OUR PROJECTS



OUR PROJECTS



OUR PROJECTS



OUR PROJECTS



OUR PROJECTS



OUR PROJECTS

